



# ***NAMUR 1/4 & 1/2 High Flow valves for actuator control***

Catalogue 4921/GB



## INDEX

General Information .....	page 2
G 1/4 Series .....	page 4
G 1/2 Serie .....	page 6
Accessories .....	page 8

## TECHNICAL DATA

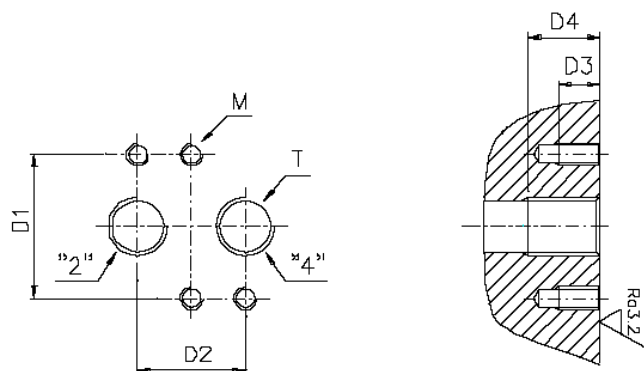
<b>Function :</b>	3/2 , 5/2 and 5/3 solenoid and air operated valves.
<b>Manual override :</b>	Standard on all solenoid operated versions
<b>Design :</b>	Pilot operated spool valve with combined pneumatic and spring return
<b>Mounting :</b>	For direct mounting on NAMUR interface
<b>Mounting position :</b>	Indifferent.
<b>Material specifications :</b>	Aluminium body. Internal parts from stainless steel. Sealing material from NBR
<b>Range of admissible pressure drop :</b>	$\Delta p$ min. = see table $\Delta p$ max. = 10 bar
<b>Media :</b>	Dry or lubricated air
<b>Fluid temperature :</b>	Min. 0 °C. Max. + 40 °C.
<b>Ambient temperature :</b>	-10 °C to +50 °C.
<b>Electrical part :</b>	Miniature coil 496131 (3W) encapsulated in synthetic material. Connection with 3-pin DIN 43650 type B plug. Degree of protection IP 65.
<b>Solenoid duty :</b>	100% ED
<b>Voltage :</b>	12 VDC / 24 VDC / 48 VDC / 24 VAC / 110 VAC / 230 VAC
<b>Voltage tolerance :</b>	- 10% to + 15% of nominal (for proper operation of valve only)
<b>Class of insulation material :</b>	Class F for 496131 coil.

## Applications

- 3- or 4-way directional valves for the control of single – or double acting pneumatic actuators
- The interface design corresponds to the NAMUR standard and the VDI/VDE 3845 recommendations of the actuator industry and permits a compact design of the actuator/valve unit.

## NAMUR Interfaces

T	D1 mm	D2 mm	D3 mm	D4 min. Mm	M mm
1/4	32	24	8	12	M5x2.5
1/2	45	40	10	16	M6x3.5



**Coils**

Voltage	Description	Order No.
12VDC	22mm standard coil	496131 C1
24VDC	22mm standard coil	496131 C2
48VDC	22mm standard coil	496131 C4
24VAC	22mm standard coil	496131 A2
110VAC	22mm standard coil	496131 A5
230VAC	22mm standard coil	496131 F4



**How to order**

Valve reference No. \* - Coil reference – Voltage code = order code

\* includes mounting kit for coil assembly + 2x NAMUR O-rings + 2 mounting screws and positioning dowel



Example: 341 N 03 + 496131C2 = 341N03-496131C2

Valves and coils may also be ordered separately

**Spare Parts**

• **Spare Housing**

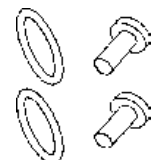
Plastic nut with O-ring Order No. 3125  
Maximum torque 0.5 Nm



• **Spare part mounting kit**

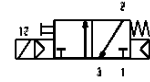
**For G 1/4 models - Order No. 496132** Spare part kit includes:  
2 screws DIN912 M5x25 A2, 1 pin DIN 913 M5x10 A2, 2 O-rings NBR 15x2.5

**For G 1/2 models - Order No. 496133** Spare part kit includes:  
2 screws DIN912 M6x35 A2, 1 pin DIN 913 M6x12 A2, 2 O-rings NBR 24x3



Port size	Orifice	Q <sub>N</sub>		Admissible differential pressure [bar]		Max. admissible fluid temperature [°C] Min. = -10 °C	Seat disc	Reference N°		Power consumption [Watt]		Weight [g]	Dim. ref.
		L/min	min	max	DC=			AC~	Valve	Coil	DC		
G	mm					Air & Neutral gases							

**3/2 Pilot operated valve - Internal pressure supply**



1/4	7	1250	1.5	10	10	80	FKM	<b>331N03</b>	496131	3	3	300	1
-----	---	------	-----	----	----	----	-----	---------------	--------	---	---	-----	---

**5/2 Pilot operated valve - Internal pressure supply**



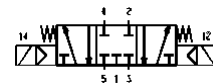
1/4	7	1250	1.5	10	10	80	FKM	<b>341N03</b>	496131	3	3	300	2
-----	---	------	-----	----	----	----	-----	---------------	--------	---	---	-----	---

**5/2 Control by 2 solenoids and internal pressure supply**



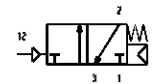
1/4	7	1250	1.5	10	10	80	FKM	<b>347N03</b>	496131	3	3	430	3
-----	---	------	-----	----	----	----	-----	---------------	--------	---	---	-----	---

**5/3 Control by 2 solenoids and internal pressure supply  
Closed in centre position**



1/4	7	1250	1.5	10	10	80	FKM	<b>342N03</b>	496131	3	3	430	4
-----	---	------	-----	----	----	----	-----	---------------	--------	---	---	-----	---

**3/2 Externally operated valve - External pressure supply 2.5 to 10 bar**



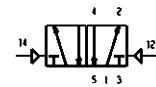
1/4	7	1250	2.5	10	10	80	FKM	<b>531N03</b>	496131	-	-	210	5
-----	---	------	-----	----	----	----	-----	---------------	--------	---	---	-----	---

**5/2 Externally operated valve - External pressure supply 2.5 to 10 bar**



1/4	7	1250	2.5	10	10	80	FKM	<b>541N03</b>	496131	-	-	210	6
-----	---	------	-----	----	----	----	-----	---------------	--------	---	---	-----	---

**5/2 Externally operated valve – 2x External pressure supply 2 to 10 bar**

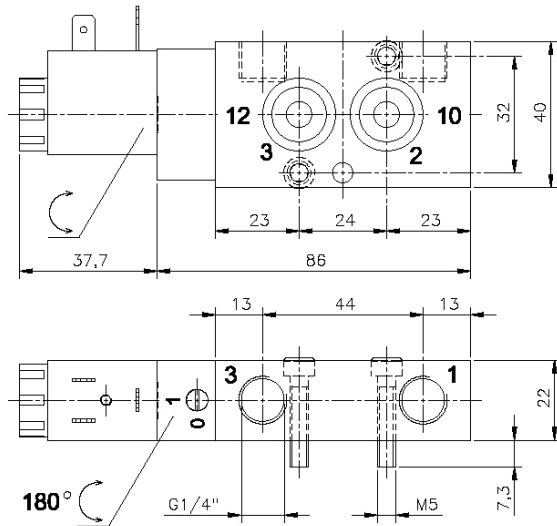


1/4	7	1250	1.5	10	10	80	FKM	<b>547N03</b>	496131	-	-	240	7
-----	---	------	-----	----	----	----	-----	---------------	--------	---	---	-----	---

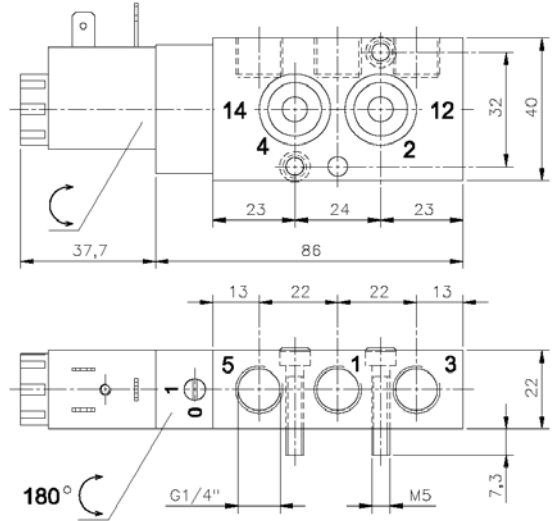
**5/3 Externally operated valve – 2x External pressure supply 3 to 10 bar  
Closed in centre position**



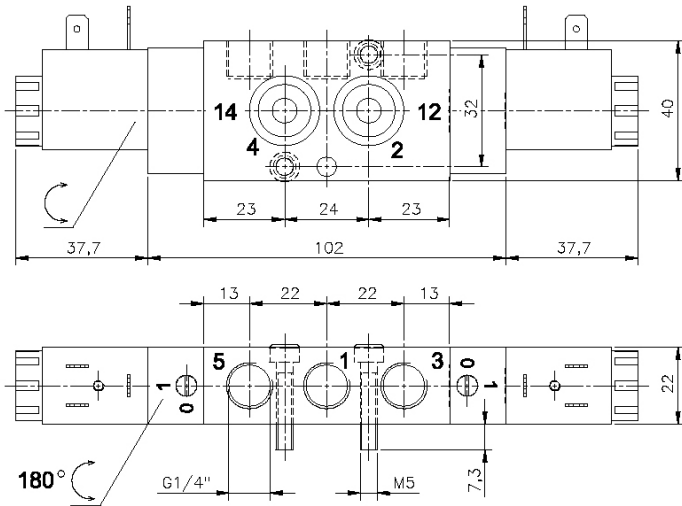
1/4	7	1250	1.5	10	10	80	FKM	<b>542N03</b>	496131	-	-	210	8
-----	---	------	-----	----	----	----	-----	---------------	--------	---	---	-----	---



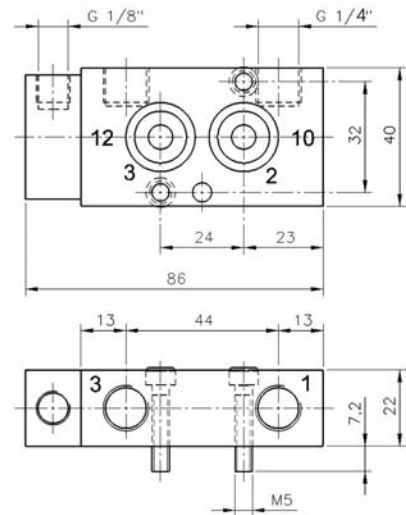
Dimension ref. 1



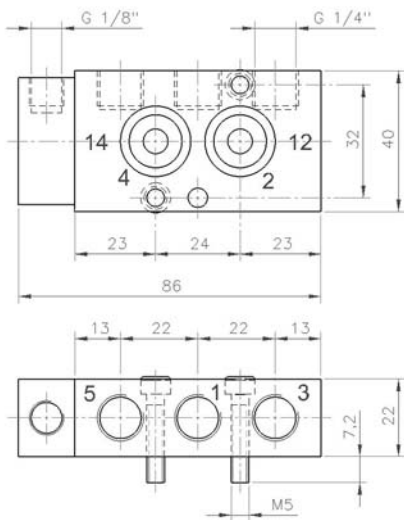
Dimension ref. 2



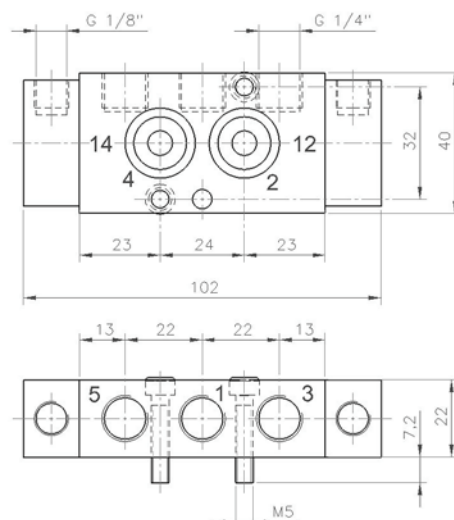
Dimension ref. 3 & 4



Dimension ref. 5



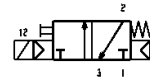
Dimension ref. 6



Dimension ref. 7 & 8

Port size	Orifice	Q <sub>N</sub>		Admissible differential pressure [bar]		Max. admissible fluid temperature [°C] Min. = -10 °C	Seat disc	Reference N°		Power consumption		Weight [g]	Dim. ref.
								Valve	Coil	DC	AC		
G	mm	L/min	min	max	DC=	AC~	Air & Neutral gases						

**3/2 Pilot operated valve - Internal pressure supply**



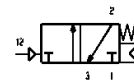
1/2	12	3000	1.5	10	10	80	FKM	<b>331N04</b>	496131	3	3	720	9
-----	----	------	-----	----	----	----	-----	---------------	--------	---	---	-----	---

**5/2 Pilot operated valve - Internal pressure supply**



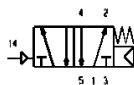
1/2	12	3000	1.5	10	10	80	FKM	<b>341N04</b>	496131	3	3	700	10
-----	----	------	-----	----	----	----	-----	---------------	--------	---	---	-----	----

**3/2 Externally operated valve - External pressure supply 2.5 to 10 bar**

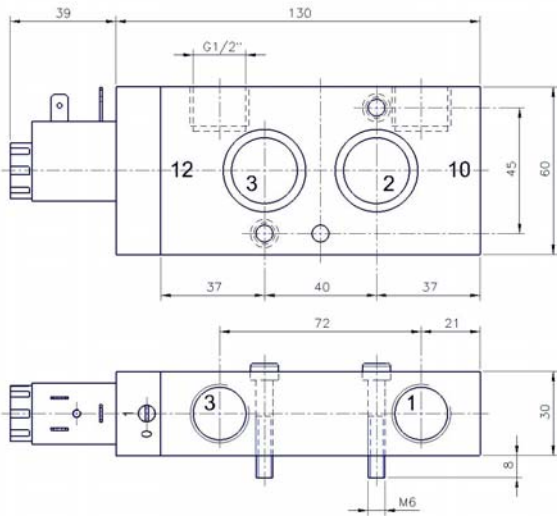


1/2	12	3000	2.5	10	10	80	FKM	<b>531N04</b>	496131	-	-	620	11
-----	----	------	-----	----	----	----	-----	---------------	--------	---	---	-----	----

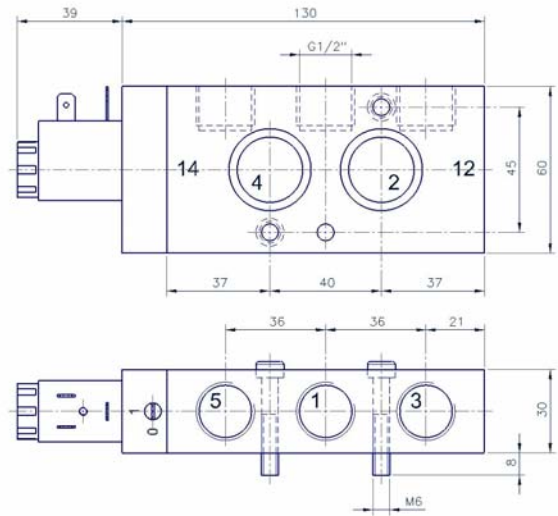
**5/2 Externally operated valve - External pressure supply 2.5 to 10 bar**



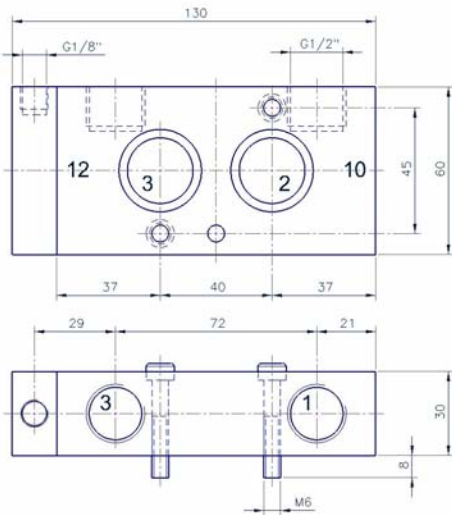
1/2	12	3000	2.5	10	10	80	FKM	<b>541N04</b>	496131	-	-	600	12
-----	----	------	-----	----	----	----	-----	---------------	--------	---	---	-----	----



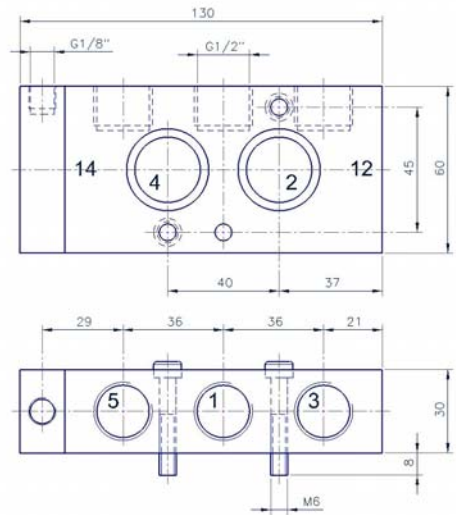
Dimension ref. 9



Dimension ref. 10



Dimension ref. 11



Dimension ref. 12



---

**Parker Lucifer SA**  
Fluid Control Division Europe  
16, Ch. du Faubourg de Cruseilles  
CH-1227 Carouge-Geneva - Switzerland  
Tel. +41 22 3077 111 Fax +41 22 3077 110  
[www.parker.com/lucifer](http://www.parker.com/lucifer)

Catalogue  
4921/GB  
October 2005